

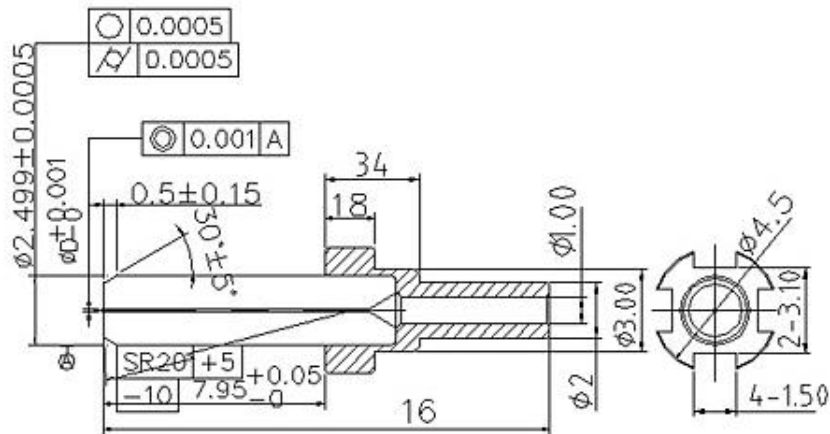
Zirconia Ferrules

SC/SM/PC

Specifications (Unit: mm)



Outside Diameter	$\varnothing 2.4990 \pm 0.0005$		
Concentricity	≤ 0.001		
Inner Diameter	$\varnothing 0.125$	$\varnothing 0.1253$	$\varnothing 0.126$
	$+0.001/-0$		
Ferrule Length	10.5 ± 0.05		
Radius of Curvature	$20 +5/-10$		

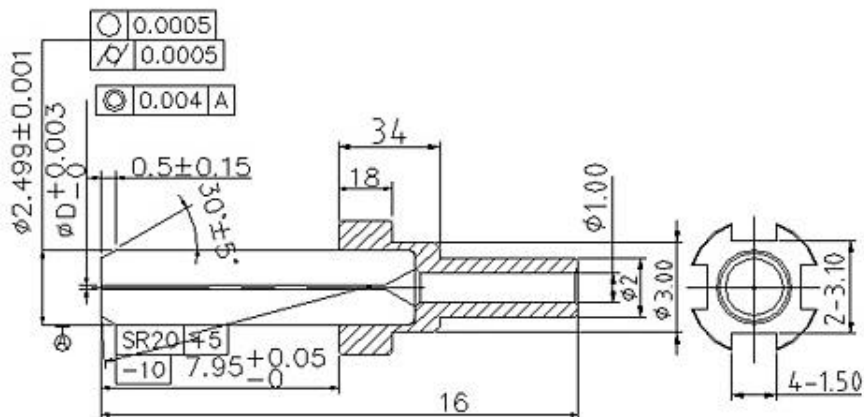


SC/MM/PC

Specifications (Unit: mm)



Outside Diameter	$\varnothing 2.4990 \pm 0.001$		
Concentricity	≤ 0.004		
Inner Diameter	$\varnothing 0.125$	$\varnothing 0.1253$	$\varnothing 0.126$
	$+0.001/-0$		
Ferrule Length	10.5 ± 0.05		
Radius of Curvature	$20 +5/-10$		

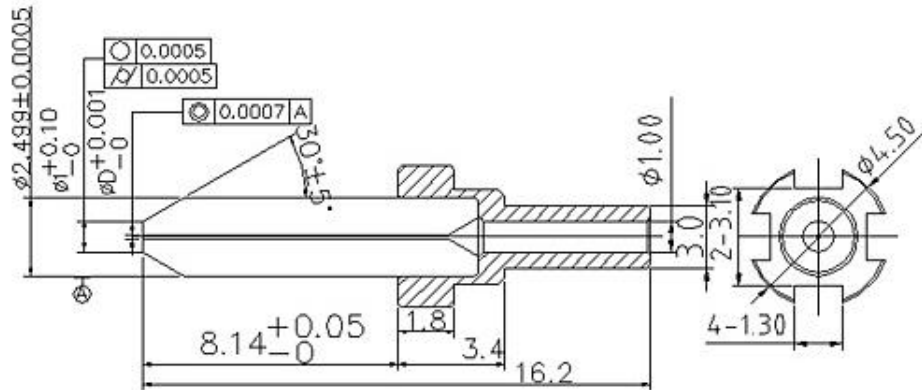


SC/SM/APC

Specifications (Unit: mm)



Outside Diameter	$\varnothing 2.499 \pm 0.0005$		
Concentricity	≤ 0.0007		
Inner Diameter	$\varnothing 0.125$	$\varnothing 0.1253$	$\varnothing 0.126$
	$+0.001/-0$		
Ferrule Length	10.5 ± 0.05		
Radius of Curvature	$20 +5/-10$		

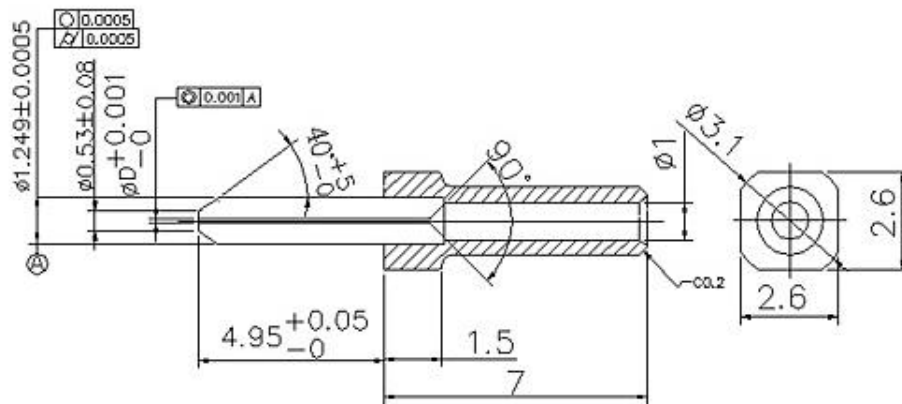


MU/SM

Specifications (Unit: mm)



Outside Diameter	$\varnothing 1.249 \pm 0.0005$		
Concentricity	≤ 0.001		
Inner Diameter	$\varnothing 0.125$	$\varnothing 0.1253$	$\varnothing 0.126$
	$+0.001/-0$		
Ferrule Length	6.5 ± 0.05		

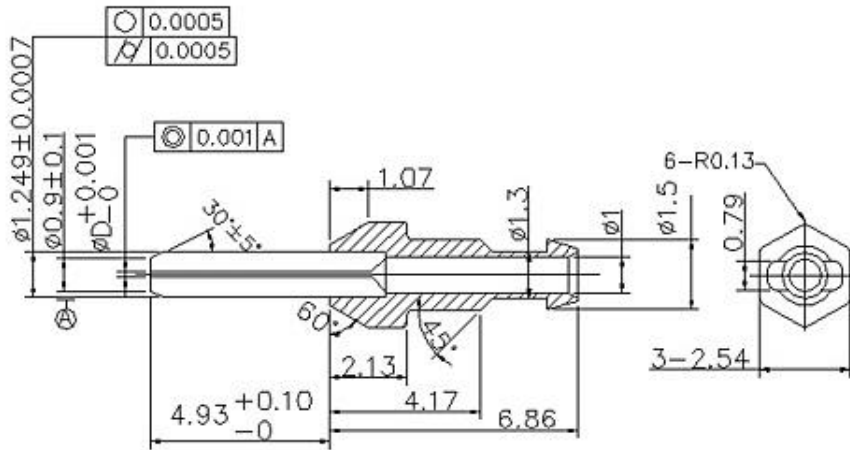


LC/SM

Specifications (Unit: mm)



Outside Diameter	Ø1.249±0.0007		
Concentricity	≤0.001		
Inner Diameter	Ø0.120	Ø0.400	Ø0.500
	+0.005/-0		
Ferrule Length	6.5±0.10		



LC/MM

Specifications (Unit: mm)



Outside Diameter	Ø1.249±0.0005		
Concentricity	≤0.004		
Inner Diameter	Ø0.125	Ø0.1253	Ø0.126
	+0.001/-0		
Ferrule Length	6.5±0.10		

